

RANKO

BIKE PARKING.



RANKO OnStreet The ultra compact Bicycle Parking System

Uncover this clever and extremely space efficient vertical parker: an innovative solution for a multitude of use cases.

MADE
IN
GERMANY

RANKO

ONSTREET

THE VERTICAL BICYCLE PARKING SYSTEM

1 car spot =
20 bicycles



USE CASES



[YouTube Link](#)

Office / apartment / mixed use buildings

- very high space efficiency means reduced space requirement means less cost
- requires only standard room height

Parking garages

- scalability allows big implementations as well as clever use of otherwise unusable spaces

Parking in public spaces, e.g. densely populated city blocks

- repurposing one car parking spot can deliver space for up to 20 bicycles
- safe bicycle parking with optional enclosure and access control
- option to integrate safe space for a cargo bike, e.g. as rental service

RANKO

ONSTREET

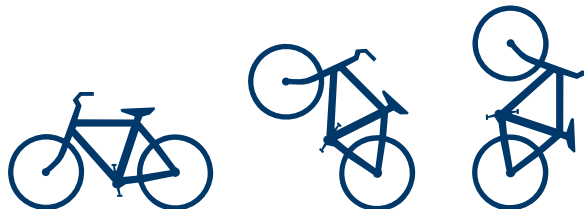
THE VERTICAL BICYCLE PARKING SYSTEM



U.S. patent
pending



optional
with charge point
for e-bikes



- Parking is quick and easy - for bicycles of up to 35 kg / 77 lbs and handlebar width of up to 80 cm / 32"
 - Gentle to your and your neighbors' bicycles: Spots staggered high/low plus our well designed lift help to avoid bumping into neighbors
 - Optional steel cables to lock bike frame and wheels to OnStreet
 - Optional easy-reach e-bike charging point per spot
-
- Unmatched space efficiency means lowest operating expenses: Including aisles and loading zones it is possible to achieve 1 square meter / bicycle at standard room height [11 sft / bike]
 - Low maintenance: Only one moving part and a gas spring which can be easily swapped out
 - Simple set-up and floor fixation
 - E-bike-charge points can be added later thanks to well thought out wiring concept
 - Enclosure and roof as an option, variety of materials and colors
 - Electronic access control as an option, either offline with RFID cards or online via smartphone app

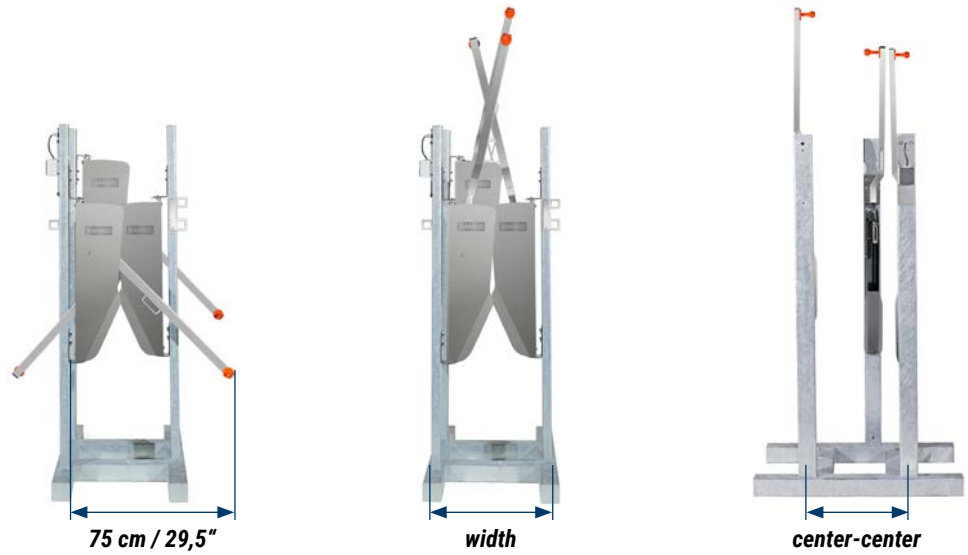
**CYCLISTS
LIKE IT BECAUSE**

**OPERATORS
LIKE IT BECAUSE**

RANKO

ONSTREET

THE VERTICAL BICYCLE PARKING SYSTEM



PRODUCT DETAILS

Locations for placement and fixation

- suitable for outdoor and indoor locations
- floor fixation recommended
- adjustable feet available

Center-to-center spacing (bike to bike)

- standard modules available with center-to-center spacing 40/45/50 cm - 16/18/20"
- recommended spacing for public use: 45 cm / 18"

Dimensions

- height without bicycles: 160 cm / 5'4"
- height with bicycles: 240 cm / 7'9"
- width without bicycles: 65 cm / 2'1"
- width with bicycles loaded on both sides: 190 - 200 cm / 6'4" - 6'8"
- standard modules, spacing - length - number of spaces
 - 40 cm / 16" - 240 cm / 8' - 10-12 spots
 - 45 cm / 18" - 225 cm / 7'6" - 9-10 spots
 - 50 cm / 20" - 250 cm / 8'4" - 9-10 spots
- standard modules can be concatenated

Custom length

- custom length production possible upon request
- custom length and standard modules can be concatenated

Materials

- all steel components are fully galvanized after welding, additional powder coating is optional

Recommendation for mix of bicycle weights in public setting

- use of medium strength gas spring at Wheelylift which comfortably operates bicycles of up to 24 kg / 53 lbs
- optional magnetic arrest keeps bicycles of up to 35 kg / 77 lbs in position without impacting loading and unloading comfort of lighter bikes